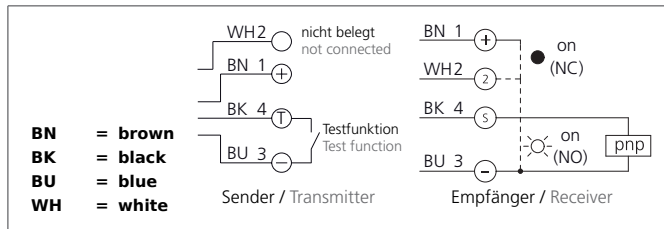
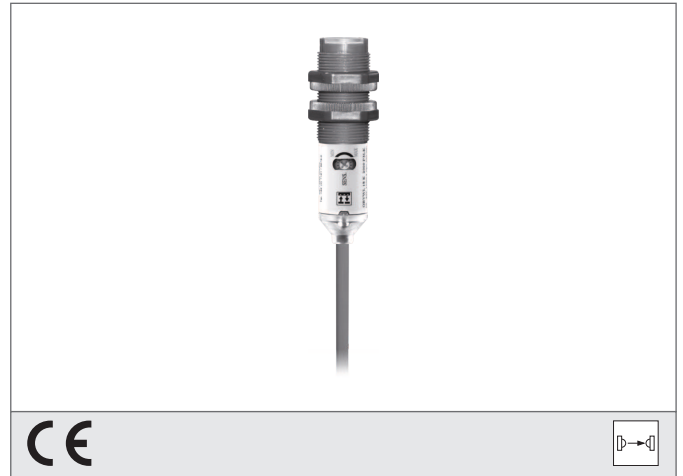


## OES 6-18 K 8000 P3LK

### Through Beam Sensor, Transmitter and Receiver

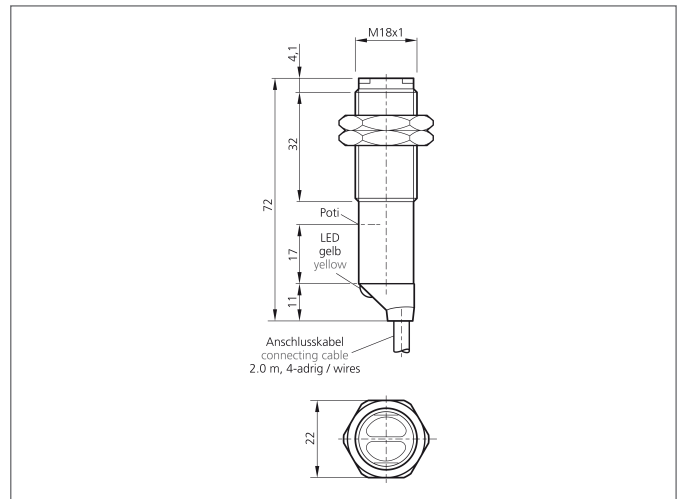
- Set consisting of transmitter and receiver
- Plastic housing
- Cable version
- Infrared light
- Sensitivity adjustable
- LED indicator for output state



#### Safety instructions

The Instruments are not to be used for safety applications, in particular applications in which safety of persons depends on proper operation of the instruments.

These instruments shall exclusively be used by qualified personnel.



TECHNICAL INFORMATION (typ.)	+20°C, 24V DC
Operating principle	Through beam sensor
Evaluation	digital
Size	M18 x 1 (thread)
Design	screw
Emitted light	Infrared, 880 nm, clocked
Service voltage	10 ... 30 V DC
Internal power consumption	< 40 mA
Operating distance	8.000 mm
Sensitivity adjustment	potentiometer
Switching output	pnp, 100 mA, NO/NC, switchable
Switching frequency	300 Hz
Response-/release time	< 2 ms / < 2 ms
Ambient temperature	-25 ... +50 °C
Ambient light immunity	10 kLx, Sunlight, 3 kLx, g
Protection class	IP 66
Protection degree	III, operation on protective low voltage
Casing material	plastics
Material	polymethyl methacrylate (Window)
Connection	Cable, 2 m